

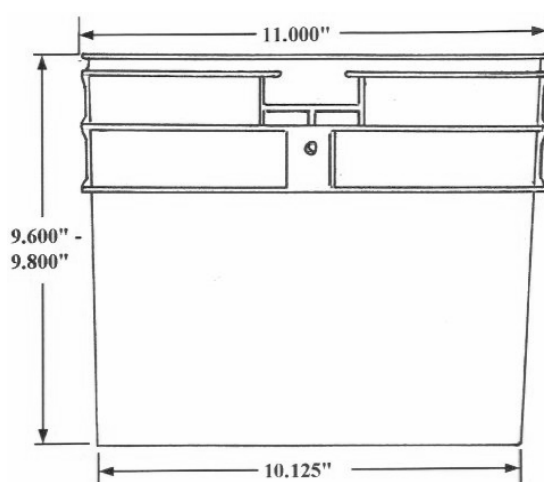
**Container Supply company**

12571 Western Avenue  
Garden Grove, CA 92841

(714) 892-8321

FAX (714)892-3824

www.containersupplycompany.com

**3 Gallon Pail with Ears**

### 3 Gallon Round Plastic Pail Specifications

Item # 23001

**3 Gallon Pail Weight (Empty):**  
460 to 495 grams

**3 Gallon Cover Weight (Alone):**  
Regular Cover = 115 grams  $\pm$  10  
Heavy Duty Covers = 143 grams  $\pm$  10  
Tear Strip Cover = 170 grams  $\pm$  10

**Brimful Capacity =**  
3.4 Gallons  $\pm$ .1 gallon  
435 Fluid Ounces  $\pm$  15 fl. Oz.

**3 Gallon Pail Dimensions**

**Height without Cover:**

9.650 - 9.800 inches

**Height with Cover:**

9.750 - 9.900 inches

**Top Diameter:**

11.000 inches

**Bottom Diameter:**

10.125 inches

**Nominal Wall Thickness:**

.065 inches

**Child Warning Labels** are not required in California but are available at an additional charge. Handles or Bails are also available at an additional charge.

**Material Used:**

Virgin High Density Polyethylene

**Available In:**

Natural or White Colors Available in Truckload Quantities

**Meets the Following Regulations:**

All materials used in these HDPE Pails and Covers meet the requirements of Food Additive Regulations 21 CFR 177.1520.

These pails and covers are suitable for holding all types of food products.

**Dairy Certification:**

Container Supply is a certified **I.M.S.** single service container manufacturer.

**Pallet Pack Information:**

Our Standard Pallet Pack Contains 400 - 3 Gallon pails.

Pallet Size: 78" x 44" x 56"  
Weight: 460 lbs.

All Pallets are covered in a polyethylene shrink bag. Each pallet has a tag which identifies the pail inside, manufacture date and traceability info.

Heavy Duty Covers come 152 per carton.  
Tear Strip Covers come 76 per carton.